



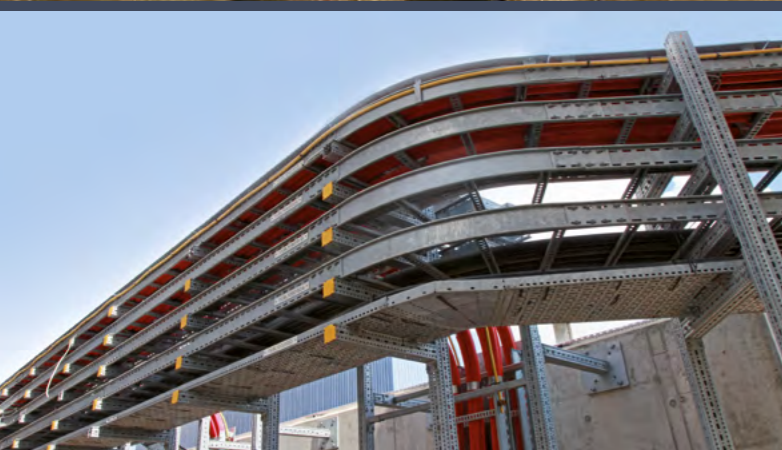
Your specialist for support systems

Flexible. Innovative. Efficient.

Sikla USA Inc.
2970 Shawnee Ridge Court
Suite 300
Suwanee, GA 30024
sales.us@sikla.com
sikla.us

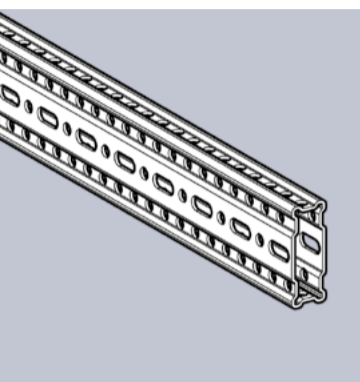
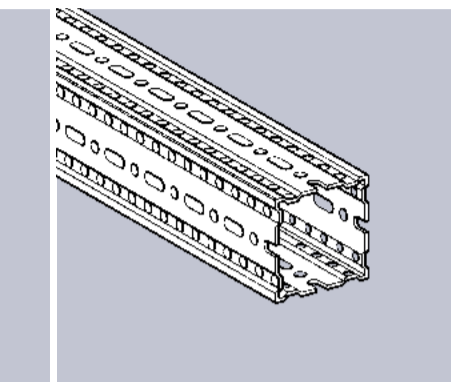
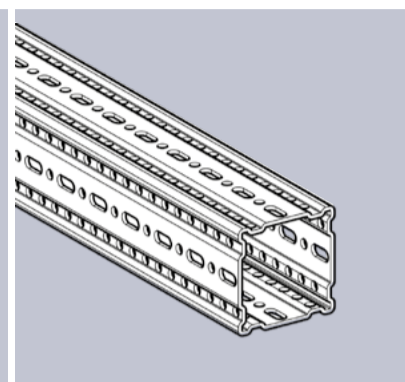
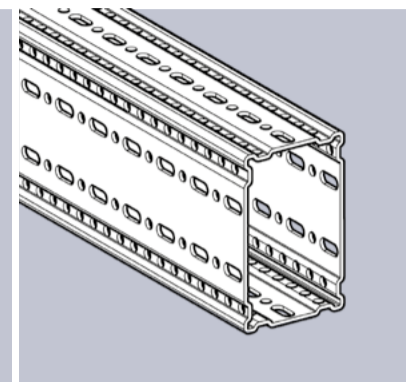
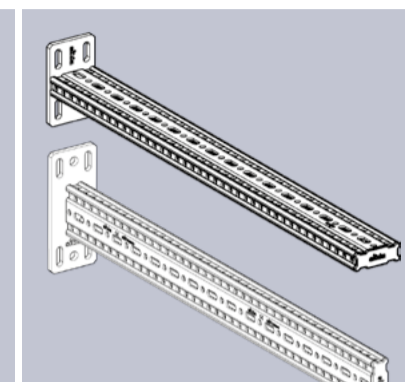
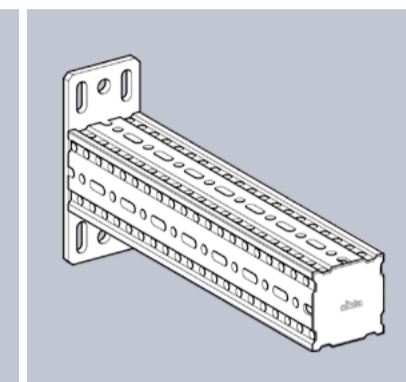
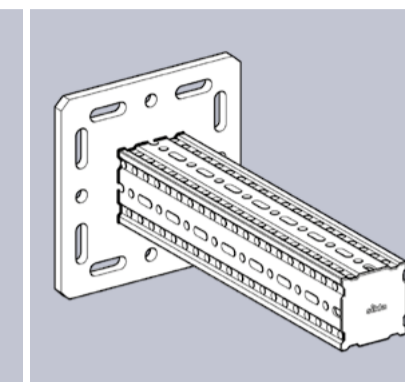
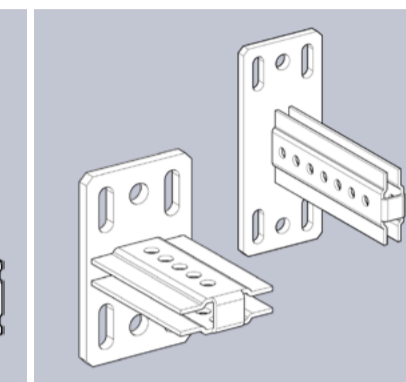
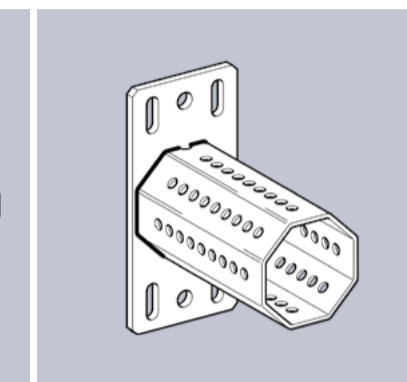
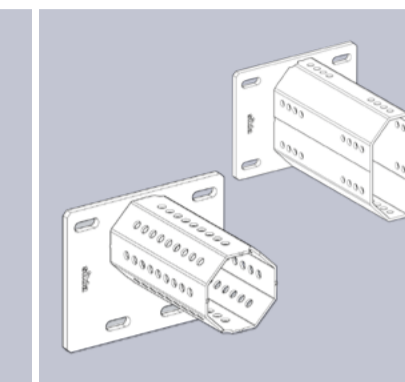
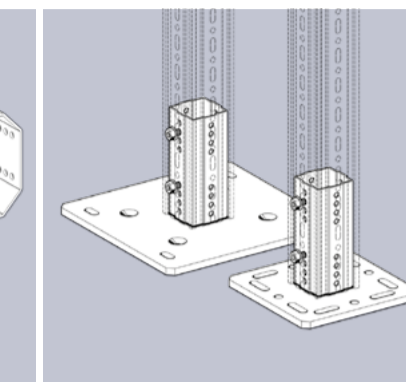


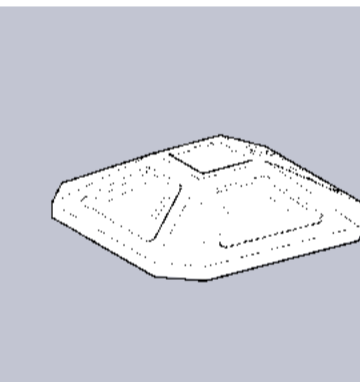
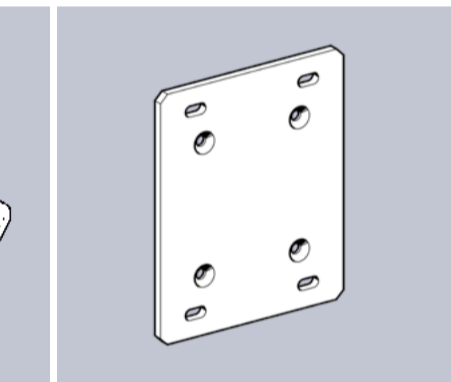
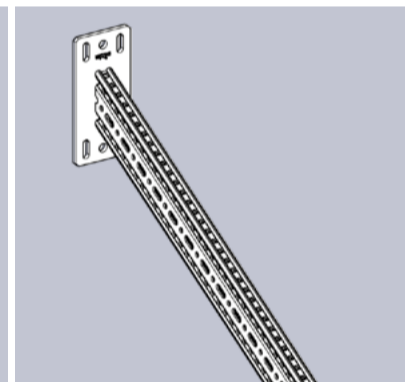
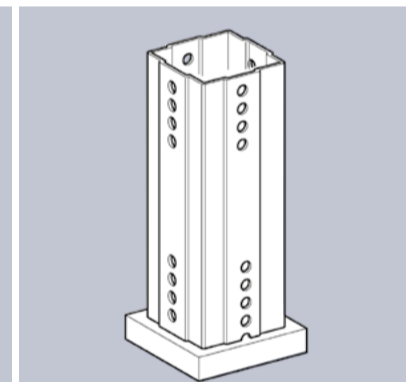
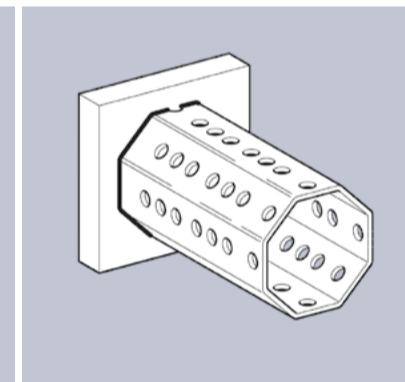
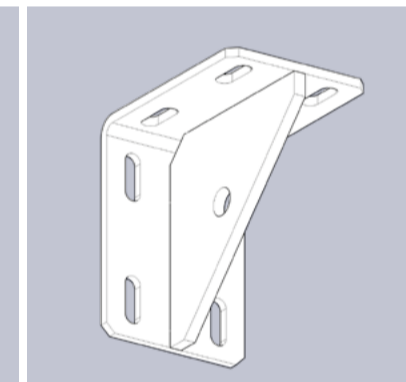
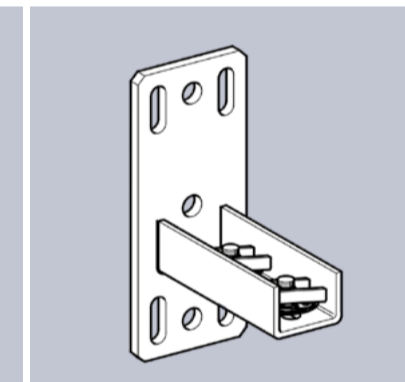
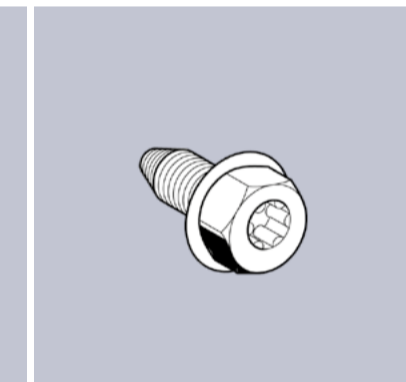
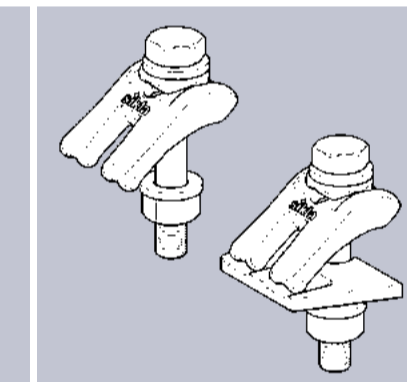
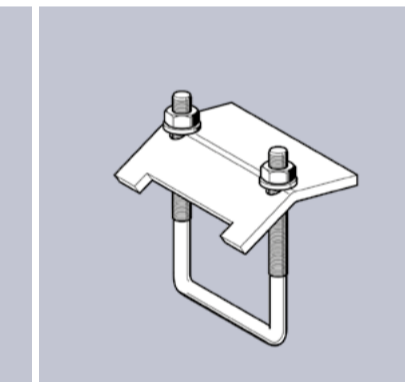
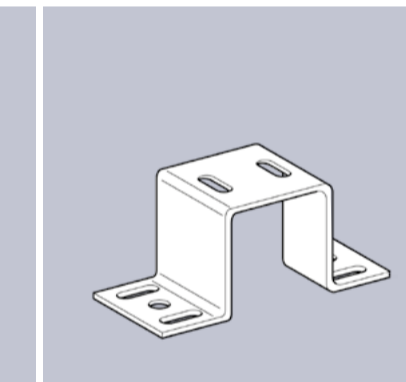
siFramo – Modular Steel Solutions

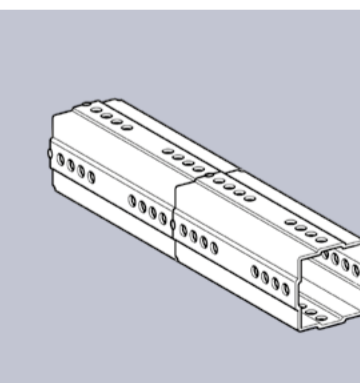
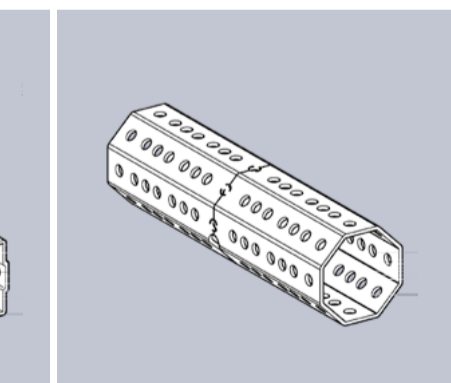
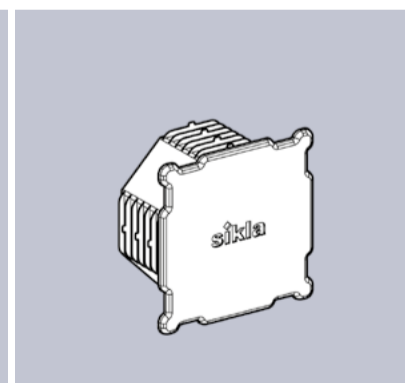
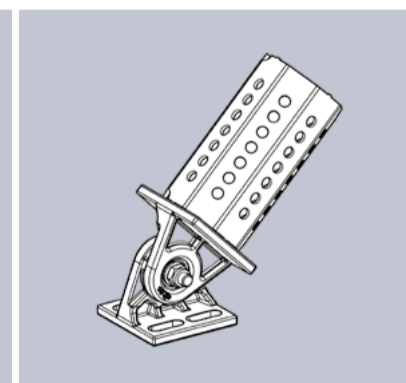
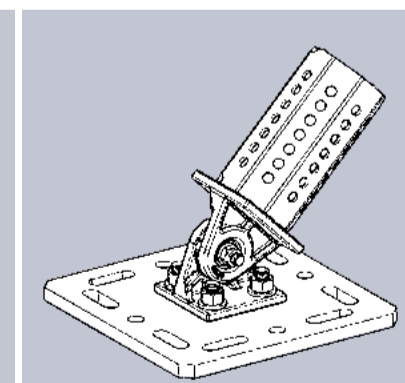
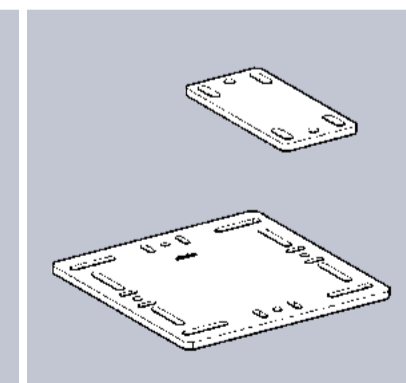
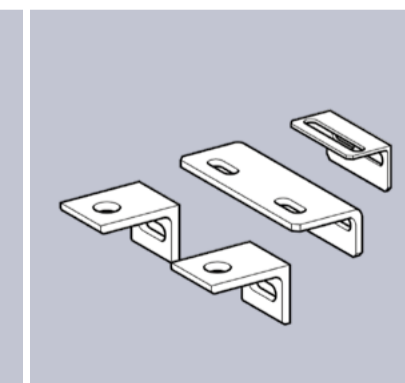
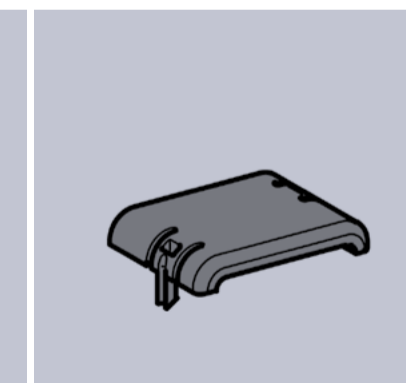


Benefits at a Glance

- ◆ Easy-to-use modular steel support system for the construction of racks, frames and equipment skids
- ◆ Significant productivity gains versus conventional steel fabrication
- ◆ 38ft and 20ft long beams as standard stocked lengths for F100 and F100/160 profiles
- ◆ One size and type of vibration-proof thread forming screw for all joint connections
- ◆ No cutting location restrictions on where to make cuts, relative to hole or slot positions of the beams
- ◆ Higher performance / lower weight of steel ratio
- ◆ Maximum flexibility / minimum installation time
- ◆ Parts re-usable after disassembly
- ◆ Adjustable components to allow for revisions and building tolerances
- ◆ 3rd party vibration tested system to the US Department of Defense Standard; MIL-STD 810G, 514.6; Procedure 1
- ◆ High corrosion resistance as standard (ISO grade C4; hot dip galvanized)
- ◆ Special coatings for highest corrosion resistance requirements (ISO C5; cathodic dip paint)
- ◆ Typical support shapes documented as a User Guideline; includes load capacities and dimensions
- ◆ Compatible with metal framing systems such as strut.

										
Beam Section TP F 80/30 TP F 80/30 6m 113407	Beam Section TP F 80 TP F 80 20' 112830	Beam Section TP F 100 TP F 100 20' 114125 TP F 100 38' 118045	Beam Section TP F 100/160 TP F 100/160 20' 114126 TP F 100/160 38' 118047	Cantilever Bracket AK F 80/30 AK F 80/30-400 113064 AK F 80/30-800 113065 AK F 80/30-E-400 113625 AK F 80/30-E-800 113626	Cantilever Bracket AK F 80 AK F 80-400 192764 AK F 80-800 192771 AK F 80-E-600 110370	Beam Bracket TKO F 80 TKO F 80-400 192788 TKO F 80-800 192795	End Support STA F 80/30 STA F 80/30 117160 STA F 80/30-Q 117294 STA F 80/30-80-E 113066	End Support STA F 80 STA F 80 192856 STA F 80-E 192863 STA F 80-E-45° 406001	End Support STA F 160 STA F 160-100-E 116875 STA F 160-Q 117147	Footplate WBD F 80 WBD F 80-80/120 192801 WBD-P F 80-121/160 117164 WBD-P F 80-161/200 117165 WBD-P F 80-201/310 117166 WBD F 80-T 192849
				Cantilever Bracket AK F 80/30-Q AK F 80/30-Q-400 117292 AK F 80/30-Q-800 117293	Cantilever Bracket AK F 100 AK F 100-400 113068 AK F 100-800 113069 AK F 100-1200 113419 AK F 100-E-600 113070	Beam Bracket TKO F 100 TKO F 100-400 113071 TKO F 100-800 113072 TKO F 100-1200 113421		End Support STA F 100 STA F 100 113073 STA F 100-E 113074 STA F 100-80 113337 STA F 100-80-E 113481 STA F 100-80-E-45° 406002		Footplate WBD F 100 WBD F 100-80/120 113075 WBD-P F 100-121/160 117167 WBD-P F 100-161/200 117168 WBD-P F 100-201/310 117169 WBD F 100-T 113079
				Cantilever Bracket AK F 100-80 AK F 100-80-400 117143 AK F 100-80-800 117144 AK F 100-80-E-600 117254		Beam Bracket TKO F 100/160 TKO F 100/160-800 113097 TKO F 100/160-1200 113420		End Support STA F 100/160 STA F 100 - 100/160 114878 STA F 100 - 100/160 E 114879		Footplate WBD F 100/160 WBD F 100/160-121/160 113098 WBD F 100/160-161/200 113099 WBD F 100/160-201/300 113100

										
Roof Support Pad SHB SQF F 80 SHB SQF F 80-350 218865 SHB SQF F 80-500 218868	Joining Plate AP AP 121/160 183953 AP 161/200 183962 AP 201/240 116534 AP 241/310 117767	Bracing Arm SKO F 80 SKO F 80 117152	Weld Adapter ASA F 80 GPL 4kt Square ASA F 80 111741	Weld Adapter ASA F 80 GPL 8kt Octagon ASA F 80 GLP 8kt 112212	Corner Bracket WD F 80 WD F 80 120/120 117153	Strut Adapter 1 5/8" SA F 80 SA F 80-41 192887	Self Forming Screw FLS F FLS F 192512	Beam Clamp Assembly Set MS 5P MS 5P - M12 S4 115843 MS 5P - M16 S4 115844	U-Holder SB F 80 SB F 80-16 192683 SB F 80-40 194010	Beam Section Holder TPH F 80/30 TPH F 80/30 116672 TPH F 80/30 C 116673
		Bracing Arm SKO F 100 SKO F 100 113096	Weld Adapter ASA F 100 GPL 4kt Square ASA F 100 GPL 4kt 113339 ASA F 100/160 GPL 4kt 113410	Weld Adapter ASA F 100 GPL 8kt Octagon ASA F 100 GLP 8kt 113080	Corner Bracket WD F 100 WD F 100 140/140 113095	Strut Adapter 1 5/8" SA F 100 SA F 100-41 113081		MS 5P MA - M12 S4 114886 MS 5P MA - M16 S4 114887	U-Holder SB F 100 SB F 100-16 113082 SB F 100-40 113083 SB F 100/160-40 113101	Beam Section Holder TPH F 80 TPH F 80 195765 TPH F 80 C 111732
										Beam Section Holder TPH F 100 TPH F 100 C 113084 TPH F 100/80 C 113085

								Pipe Shoe Guide Brackets		
Beam Section Connector PK F 80 Square PK F 80 4kt 111445	Beam Section Connector PK F 80 Octagonal PK F 80 8kt 111446	End Cap ADK F 80 ADK F 80 192674 ADK F 80/30 113067	Pivot Joint GE F 80 GE F 80 - 80 113835	Pivot Joint Footplate GE F 80 - ST F 80 GE F 80/120 - 80 115856 GE F 121/160 - 80 - 1 115857 GE F 161/200 - 80 - 1 115859 GE F 201/300 - 80 - 1 115861	Weld Plate SPL SPL F 80 117833 SPL F 100 117834 SPL universal 113636	U-Bolt Bracket UB F UB F 1/2" - 1 1/2" 192931 UB F 2" - 3" 196212 UB F 4" - 6" 113124 UB F 8" - 12" 113125 UB F 378-520 (14" - 20") 113126	Pipe Slide Pad U-UB F U-UB F 80 198797 U-UB F 100 113094	Pipe Shoe Guide Bracket FW F FW F 80 110349 FW F 100 113088	Pipe Shoe Fixed Point Bracket XW F XW F 80 110356 XW F 100 113087	Pipe Shoe Guide Bracket FW F L/Z FW F 80 Z 6 113628 FW F 80 Z 9 113629 FW F 80 Z 12 113630 FW F 80 Z 15 113975 FW F 80 L 113627
Beam Section Connector PK F 100 Square PK F 100 4kt 400390	Beam Section Connector PK F 100 Octagonal PK F 100 8kt 400389	End Cap ADK F 100 ADK F 100 113086 ADK F 100/160 113102	Pivot Joint GE F 100 GE F 100 - 80 113838 GE F 100 - 100 113837	Pivot Joint Footplate GE F 100 - ST F 100 GE F 80/120 - 100 115863 GE F 121/160 - 100 - 1 115864 GE F 161/200 - 100 - 1 115866 GE F 201/300 - 100 - 1 115868						FW F 100 Z 6 113632 FW F 100 Z 9 113633 FW F 100 Z 12 113634 FW F 100 Z 15 113976 FW F 100 L 113631